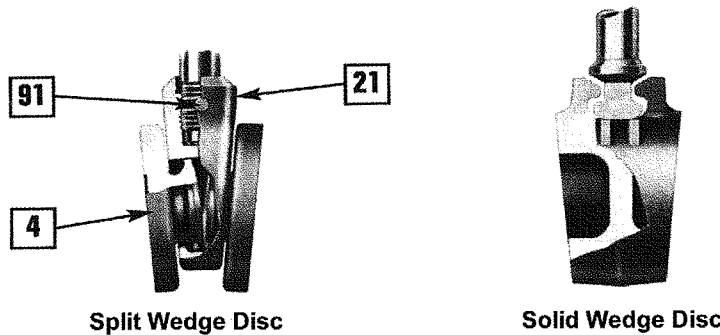


TYPICAL O.S.&Y. BOLTED BONNET VALVE



Split Wedge Disc

Solid Wedge Disc

No.	COMPONENT	TYPICAL GATE VALVE	
		O.S.&Y. BOLTED BONNET CF8M+	
		Material	Specification
1	Body – Flanged end	316 SS	ASTM A351 CF8M
1	Body – Threaded, socket or butt weld end	316L SS	ASTM A351 CF3M
2	Bonnet	316 SS	ASTM A351 CF8M
3	Stem	316 SS	ASTM A182 F316
4	Disc	316 SS	ASTM A351 CF8M
7	Gland	316 SS	ASTM A182 F316
7A	Gland Yoke	304 SS	ASTM A351 CF8
8	Handwheel	Malleable Iron	ASTM A47
10	Stem Nut	303 SS	ASTM A582 T303
11	Stem Nut Lock Nut	304 SS	ASTM A351 CF8M
12	Stem Nut Key	Carbon Steel	AISI C1018
13	Bonnet Bolt	304 SS	ASTM A193 Gr. B8
14	Gland Eyebolt	304 SS	ASTM A193 Gr. B8
15	Gland Eyebolt Nut	304 SS	ASTM A194 Gr. 8
21	Disc Carrier	316 SS	ASTM A351 CF8M
23*	Packing Adapter	**	**
24*	Packing	**	**
25*	Bonnet Gasket	**	**
26	Bonnet Bolt Nut	304 SS	ASTM A194 Gr.8
33	Packing Retainer Ring	-	-
39	Grease Fitting	Carbon Steel	AISI C1018
40	Identification Plate	Aluminum	Aluminum
42	Eyebolt Pin	303 SS	ASTM A582 T303
56	Set Screw	304 SS	ASTM A182 F304
91	Stem Lock Pin	316 SS	ASTM 182 F316

+ Specifications on other materials available on request

*Recommended spare parts.

** Class 150 Valves – TFE packing and gaskets

Class 300 & 600 Valves – Flexible graphite packing and gaskets