

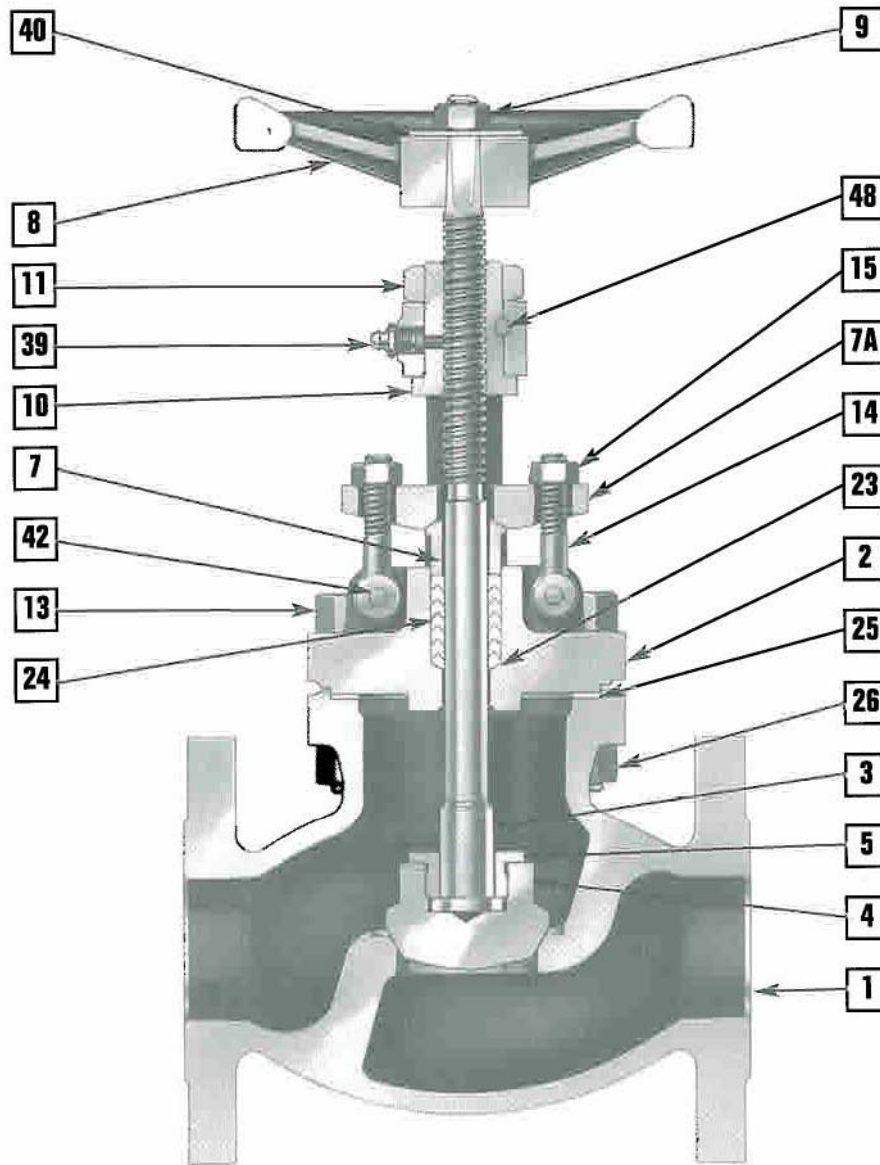


LADISH VALVES

Phone: 866-LADISHØ – 866-523-4740

GLOBE VALVES

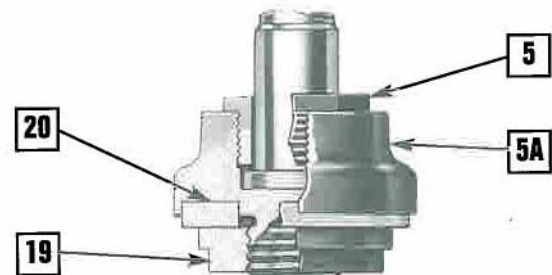
COMPONENTS & MATERIALS OF CONSTRUCTION



TYPICAL O.S.&Y. BOLTED BONNET VALVE



Metal Plug Disc



Renewable Disc

LADISH CORROSION RESISTANT VALVES



LADISH VALVES

GLOBE VALVES

NO.	COMPONENT	TYPICAL GLOBE VALVE	
		OS & Y BOLTED BONNET CF8M	
		Material	Specification
1	Body – Flanged end	316 SS	ASTM A351 CF8M
1	Body – Threaded, socket or butt weld end	316L SS	ASTM A351 CF3M
2	Bonnet	316 SS	ASTM A351 CF8M
3	Stem	316 SS	ASTM A182 F316
4	Disc	316 SS	ASTM A351 CF8M
5	Disc Nut	316 SS	ASTM A182 F316
5A	Disc Holder	316 SS	ASTM A351 CF8M
7	Gland	316 SS	ASTM A182 F316
7A	Gland Yoke	304 SS	ASTM A351 CF8
8	Handwheel	Malleable Iron	ASTM A47
9	Handwheel Nut	303 SS	ASTM A194 Gr. 8F
10	Stem Nut	303 SS	ASTM A582 F303
11	Stem Nut Lock Nut	304 SS	ASTM A182 F304
13	Bonnet Bolt	304 SS	ASTM A193 Gr, B8
14	Gland Eyebolt	304 SS	ASTM A193 Gr. B8
15	Gland Eyebolt Nut	304 SS	ASTM A194 Gr. 8
19	Disc Holder Nut	316 SS	ASTM A182 F316
20*	Renewable Disc Insert	Teflon	Teflon
23*	Packing Adapter	**	**
24*	Packing	**	**
25*	Bonnet Gasket	**	**
26	Bonnet Bolt Nut	304 SS	ASTM A194 Gr. 8
39	Grease Fitting	Carbon Steel	AISI C1018
40	Identification Plate	Aluminum	Aluminum
42	Eyebolt Pin	303 SS	ASTM A582 T303
48	Stem Nut Lock Pin	303 SS	ASTM A582 T303

* Recommended spare parts

** TFE packing & gasket OR Flexible graphite packing & gasket

LADISH VALVES Phone: 866-LADISHØ - 866-523-4740 or 281-880-8560 - Fax: 281-880-8061
7612 Bluff Point Dr., Houston, TX 77086

LADISH CORROSION RESISTANT VALVES