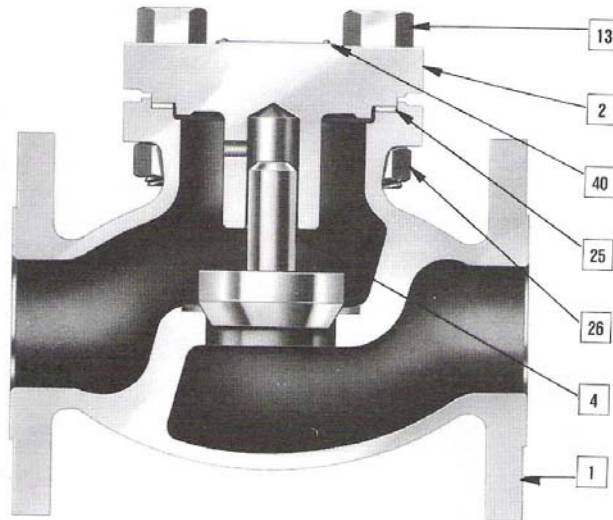


COMPONENTS & MATERIALS OF CONSTRUCTION



LADISH VALVES

LIFT CHECK VALVES



TYPICAL BOLTED COVER VALVE

NO.	COMPONENT	MATERIAL	SPECIFICATION
1	Body – Flanged Ends	316 SS	ASTM A351 Grade CF8M
1	Body – Thrd, SWE, or BWE	316L SS	ASTM A351 Grade CF3M
2	Cover	316 SS	ASTM A351 Grade CF8M
4	Disc	316 SS	ASTM A276-316
13	Cover Bolt	304 SS	ASTM A193 Gr. B8
25*	Cover Gasket	**	**
26	Cover Bolt Nut	304 SS	ASTM A193 GR 8
40	Identification Plate	-	Aluminum or Stainless Steel

* Recommended Spare Parts

** Teflon (PTFE) or Flexible Graphite Gasket

LADISH VALVES

7612 Bluff Point Drive

Houston, TX 77086

(Toll-Free) 866-523-4740, (Local) 281-880-8560, (Fax) 281-880-8061

LADISH CORROSION RESISTANT VALVES