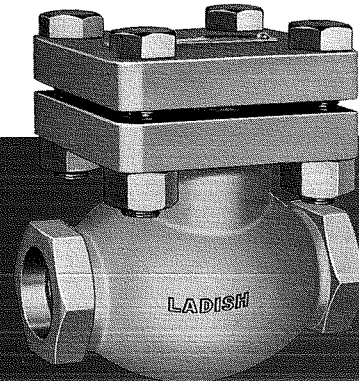
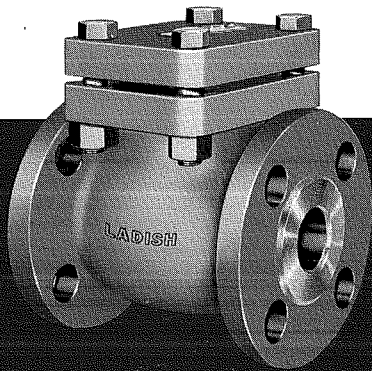


THREADED END
No. 5253 — Metal Plug Disc

Nominal Pipe Size	End-to-End A	Center-to-Top D	Weight
1/4	2 1/2	2 1/4	2
3/8	2 1/2	2 1/4	2
1/2	3 3/8	3 1/8	3
3/4	3 3/4	3 1/4	4
1	4 1/4	3 5/8	5
1 1/4	4 3/4	3 7/8	10
1 1/2	5 3/4	4 1/2	15
2	6 1/4	5 1/8	18
3	9	6 1/8	26



SOCKET WELD END
No. 5254 — Metal Plug Disc



FLANGED END
No. 5252 — Metal Plug Disc

Nominal Pipe Size	End-to-End A	Center-to-Top D	Weight
1/2	4 1/4	3 1/8	7
3/4	4 5/8	3 1/4	9
1	5	3 5/8	14
1 1/4	5 1/2	3 7/8	19
1 1/2	6 1/2	4 1/2	22
2	8	5 1/8	38
3	9 1/2	6 1/8	61
4	11 1/2	7 1/4	93
6	16	9 1/4	220