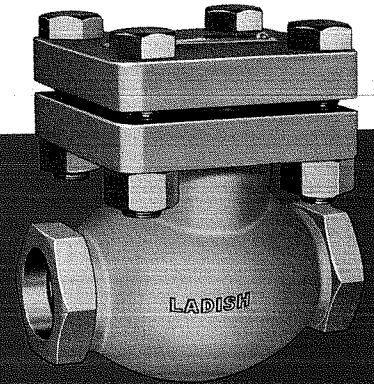
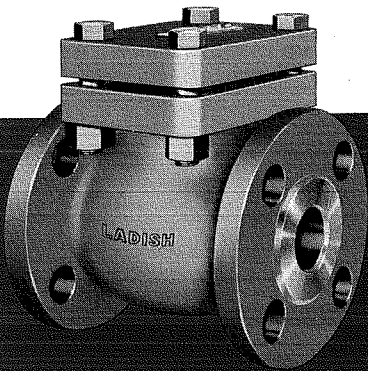


Nominal Pipe Size	End-to-End A	Center-to-Top D	Weight
1/2	3 ³ / ₄	4 ¹ / ₈	9
3/4	4 ¹ / ₄	4 ¹ / ₈	9
1	5	4 ¹ / ₄	11
1 ¹ / ₂	6	4 ³ / ₄	22
2	7 ¹ / ₄	6 ¹ / ₄	39



THREADED END
No. 5350 — Metal Plug Disc

SOCKET WELD END
No. 5351 — Metal Plug Disc



Nominal Pipe Size	End-to-End A	Center-to-Top D	Weight
1/2	6	4 ¹ / ₈	13
3/4	7	4 ¹ / ₈	18
1	8	4 ¹ / ₄	22
1 ¹ / ₂	9	6	45
2	10 ¹ / ₂	6 ¹ / ₄	57

FLANGED END
No. 5352 — Metal Plug Disc