

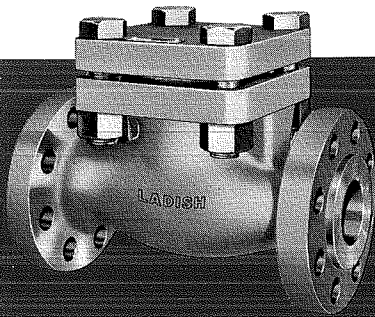


Nominal Pipe Size	End-to-End A	Center-to-Top D	Weight
1/2	3 ³ / ₄	4 ¹ / ₈	9
3/4	4 ¹ / ₄	4 ¹ / ₈	9
1	5	4 ¹ / ₄	11
1 ¹ / ₂	6	4 ³ / ₄	22
2	7 ¹ / ₄	6 ¹ / ₄	39



THREADED END
No. 5650 — Metal Plug Disc

SOCKET WELD END
No.5651 — Metal Plug Disc



Nominal Pipe Size	End-to-End A	Center-to-Top D	Weight
1/2	6 ¹ / ₂	4 ¹ / ₈	13
3/4	7 ¹ / ₂	4 ¹ / ₈	18
1	8 ¹ / ₂	4 ¹ / ₄	22
1 ¹ / ₂	9 ¹ / ₂	6	45
2	11 ¹ / ₂	6 ¹ / ₄	57
2 ¹ / ₂	13	8 ¹ / ₄	95
3	14	8 ³ / ₄	145
4	17	10 ¹ / ₂	220
6	22	14	470

FLANGED END
No. 5652 — Metal Plug Disc